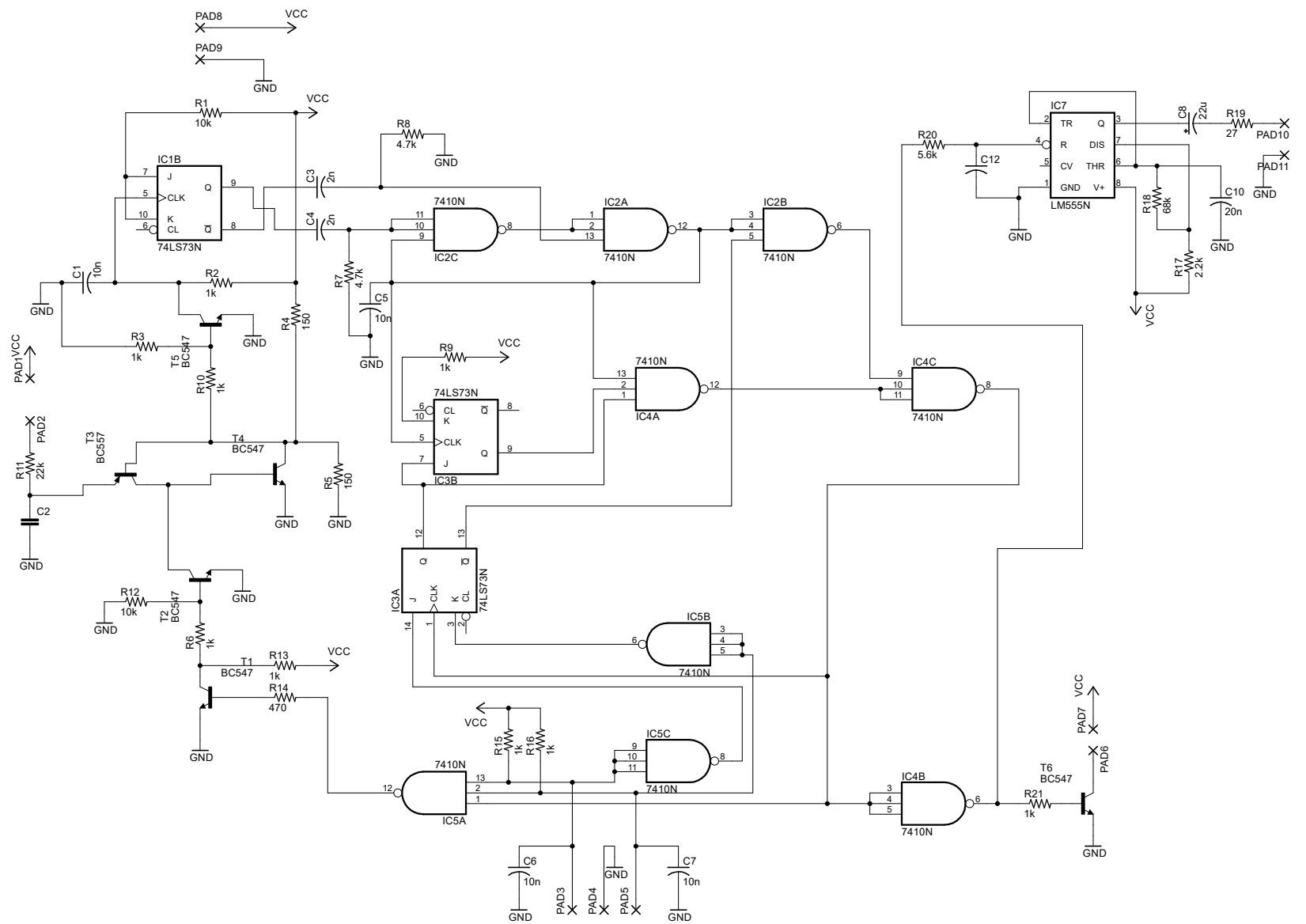
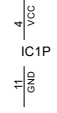


- H1 MOUNT-HOLE2.8
- H2 MOUNT-HOLE2.8
- H3 MOUNT-HOLE2.8
- H4 MOUNT-HOLE2.8



Have to remove R7 & R8 if using LS (low power schottky) TTL nand gates
 Had to remove C5 when using LS (low power schottky) TTL flip flop

Fixed missing track between IC3 Pin9 and IC4 Pin2 20/3/15 Decreased Via size 20/3/15	
TITLE: Zedel U6	
Document Number:	REV:
Date: 21/03/2015 1:41:40 PM	Sheet: 1/1